

5.7L Complete Engine Package FUEL INJECTION (1987-Later MerCruiser Applications)



Model : MPE5.7VMR2-MPI

Manufacturer : Marine Power

This complete 5.7L MPI engine package is designed to replace most 1987 and later MerCruiser 5.0L and 5.7L sterndrive engine applications. This engine package and 100% of the components are brand new and includes a 2-year factory warranty. If you have an existing 5.0L or 5.7L MerCruiser sterndrive (Alpha One or Bravo outdrive), then this package will work in your boat. This 5.7L MPI engine includes a 5th generation ECM (MEFI 5 computer) that prevents the engine from overheating, provides 15%-30% better gas mileage, built-in engine rev limiter, and added horsepower and torque over the 5.7L carbureted version. This engine is rated at 325hp and is set up for MerCruiser sterndrive applications. No modifications need to be made to your existing MerCruiser Alpha One or Bravo outdrive (add \$225 if you have a Bravo outdrive). Also includes returnless single fuel line hookup for easy installation. This complete 5.7L engine is run, properly timed and tested BEFORE it is shipped to you. This engine package includes:

- 5.7L Vortec base marine engine (standard rotation)
- Multi-port fuel injection intake manifold
- MEFI 5 ECM computer
- Stainless-steel flexible fuel lines (U.S.C.G. approved)
- Hi and low pressure electric fuel pumps (U.S.C.G. approved)

- Oil pressure switch, oil sending unit, knock sensor, misc sensors
- Electronic ignition (Electronic distributor w/coil spark plugs, plug wires, etc.)
- 14" sterndrive flywheel and MerCruiser triangular coupler
- MerCruiser center-rise exhaust manifolds with 4" risers
- Electronic throttle
- Throttle bracket, throttle clip, and quick connect ball joint
- 70 amp alternator, bracket, and tensioner (U.S.C.G. approved)
- High torque bottom mount starter (U.S.C.G. approved)
- Engine wire harness w/universal 10-pin plug
- Water/fuel separator
- Thermostat housing with thermostat
- Adjustable engine motor mounts
- Flame arrestor and weather cover
- Dip stick tube, dip stick and EZ oil drain hose
- Corrosion resistant urethane paint
- All pulleys, hoses, belts, installed
- MPI diagnostic tool available from Diacom at additional, discounted price - [click here for details.](#)
- Two-Year Limited Warranty Email sales@michiganmotorz.com or call (248) 524-9600 to place your order, or for a shipping quote.

5.7L Complete Engine Package FUEL INJECTION (1987-Later MerCruiser Applications)

MARINEPOWER
The Force Behind The Fun.™

SPECIFICATIONS

DISPLACEMENT (LITER/CID)

CYLINDERS

BORE & STROKE (INCHES)

COMPRESSION RATIO

CARBURETOR

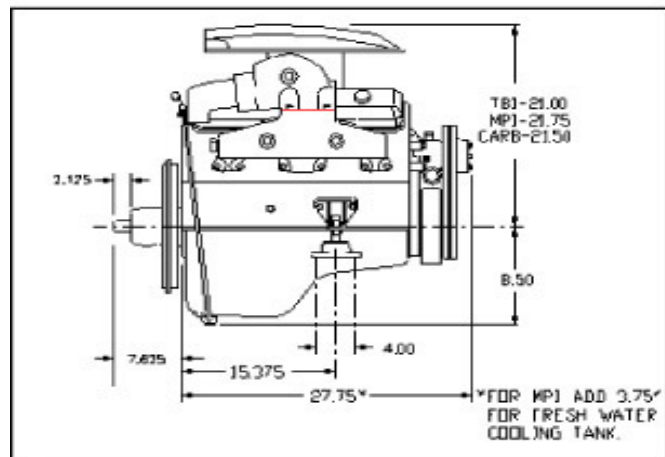
IGNITION

FULL THROTTLE OPERATION (CARBURETED VERSION)

FULL THROTTLE OPERATION (EFI VERSION)

ROTATION (FLYWHEEL)

TOTAL WEIGHT - U.S. LBS.



MRI - Raw Water Cooled

Marine Engines > Complete Turn-Key Engines > Turn-Key MPI Engines > 5.7L Complete Engine Package FUEL INJECTION

5.7L Complete Engine Package FUEL INJECTION (1987-Later MerCruiser Applications)

Price : ~~\$10,639.00~~

Special price : \$8,950.00

Availability: This product was added to our catalog on Monday 24 September, 2007