

4.3L Complete Engine Package (1984-Later INBOARD Applications)



Model : MPS4.3V

Manufacturer : Marine Power

4.3L Complete Engine Package (1984-Later INBOARD Applications)

Michigan Motorz has the 4.3L Complete Engine Package (1984-Later INBOARD Applications) in stock. This complete engine package is designed to replace most 1984 and later 4.3L marine engine INBOARD applications. This engine package and 100% of the components are brand new and includes a 2-year factory warranty. If you have an existing 4.3L inboard or V-drive with a Borg Warner, Velvet drive or ZF Hurth transmission, then this package will work in your existing boat. This 4.3L engine is rated at 225hp at the crank shaft. This complete 4.3L engine is run, properly timed and tested BEFORE it is shipped to you. Email sales@michiganmotorz.com or call (248) 524-9600 to place your order, or for a shipping quote. This new engine package includes:

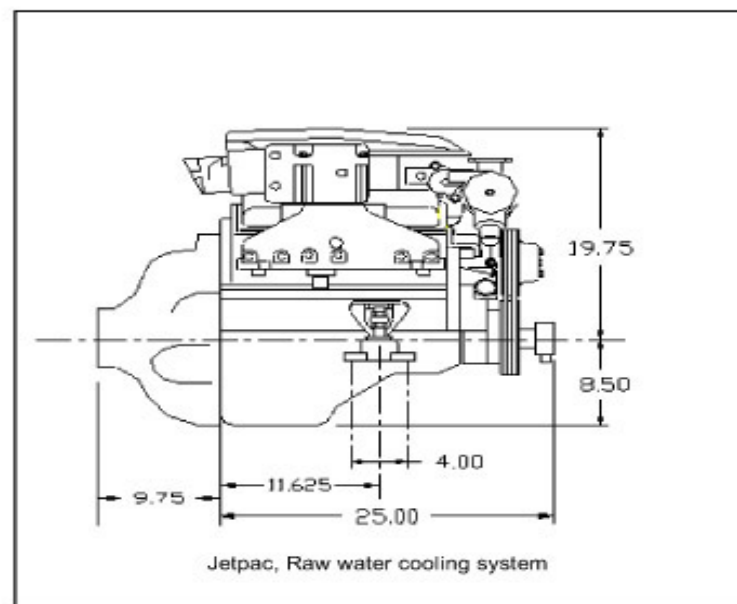
- 4.3L Vortec base marine engine (standard rotation)
- Cast iron four barrel intake manifold
- Edelbrock 1409 marine carburetor (600 CFM)
- One-piece flexible fuel line with stainless steel fittings (U.S.C.G. approved)
- Low pressure electric fuel pump (U.S.C.G. approved)
- Oil pressure switch and oil sending unit
- Delco Voyager ignition kit-Voyager distributor, HEI coil, spark plugs and wires, misc wires for shift interrupt switch (U.S.C.G. approved)
- 14" flywheel, bell housing & damper plate
- Center-rise manifolds with 4" risers
- Throttle bracket, throttle clip, and quick connect ball joint
- 70 amp alternator, bracket, and tensioner (U.S.C.G. approved)
- High torque bottom mount starter (U.S.C.G. approved)
- Engine wire harness w/universal 10-pin plug
- Water/fuel separator
- Alarm system
- Crank driven seawater pump
- Thermostat housing with thermostat
- Adjustable engine motor mounts
- Flame arrestor and weather cover
- Dipstick tube, dipstick and EZ oil drain hose
- Corrosion resistant black urethane paint
- All pulleys, hoses, belts, installed
- Two-Year Limited Warranty

Call Michigan Motorz now at (248) 524-9600 for more information, to place your order, or to get a shipping quote for the 4.3L Complete Engine Package (1984-Later INBOARD Applications).

4.3L Complete Engine Package (1984-Later INBOARD Applications)

MARINEPOWER
The Force Behind The Fun.

SPECIFICATIONS	
DISPLACEMENT (LITER/CID)	4
CYLINDERS	V
BORE & STROKE (INCHES)	4
COMPRESSION RATIO	9
CARBURETOR	4
IGNITION	D
FULL THROTTLE OPERATION (CARBURETED VERSION)	4
FULL THROTTLE OPERATION (EFI VERSION)	4
ROTATION (FLYWHEEL)	C
TOTAL WEIGHT - U.S. LBS	5



Marine Engines > Complete Turn-Key Engines > Turn-Key Carbureted Engines > 4.3L Complete Engine Package (1984-

4.3L Complete Engine Package (1984-Later INBOARD Applications)

Price : ~~\$8,899.00~~

Special price : \$7,589.00

Availability: This product was added to our catalog on Tuesday 12 December, 2006