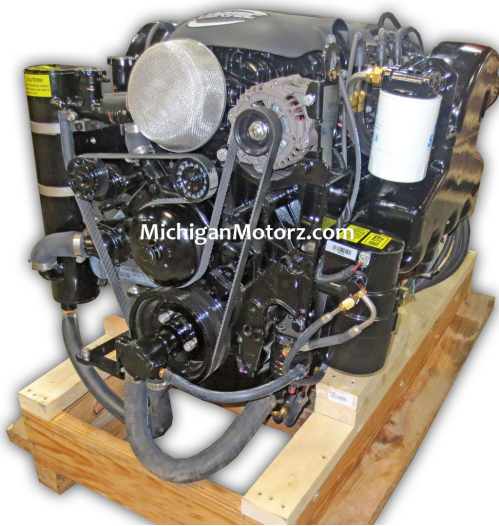


## 6.0L Complete Engine Package (Inboard)



Model : MPS6.0V

Manufacturer : Marine Power

**6.0L Complete Engine Package FUEL INJECTION (Inboard)** The power of a big block in the size of a small block... That's what a 6.0L Vortec marine engine is. This complete 6.0L engine is only one inch wider and one inch longer than a complete 5.7L engine, yet delivers a whopping 375hp @ 5200 rpm with 492 foot-pounds of torque. A very popular engine upgrade in tournament wakeboard boats because of its compact size and powerful torque. This 6.0L engine has been available for ski and wakeboard boats (Mastercraft, Ski Nautique, Tige, etc.) for the last 6 years and is now available as a repower option. This 6.0L package shown here is designed to replace inboard marine applications. Includes bell housing and closed cooling. It is also available for sterndrive applications. Here are a few of the features and benefits of this 6.0L Vortec engine: Aluminum cylinder heads and closed cooling are standard, engine is self timing and requires no periodic maintenance other than replacing spark plugs and ignition wires. Includes MP2K performance exhaust manifolds and risers that have been specifically tuned to facilitate a higher torque and a smoother flow of exhaust from the engine. These hi-performance exhaust manifolds also have a special "blocking baffle" that greatly reduces possible water reversion (water reversion is detrimental and possibly catastrophic to a marine engine). Coil-near-plug ignition, crankshaft sensor, and eight ignition coils make it a distributorless ignition system. This engine package and 100% of the components are brand new includes a 2-year factory warranty. If you have an existing inboard or sterndrive engine set-up, call us to see if this package is right for you! This engine package includes:

- 6.0L Vortec base marine engine 375 hp
- Full closed cooling
- Port fuel injection (PFI) intake manifold
- High torque marine roller cam shaft, roller lifters and roller rockers
- MEFI 5 ECM computer
- Stainless steel flexible fuel lines (U.S.C.G. approved)
- Hi and low pressure fuel pumps (U.S.C.G. approved)
- Crankshaft sensor, camshaft sensor, ESC sensors, etc.
- Coil-near-plug ignition (eight ignition coils, spark plug wires, platinum spark plugs, etc.)
- Crankshaft driven seawater pump
- 14" flywheel
- MP2K performance exhaust manifolds with risers
- Electronic throttle
- Throttle bracket, throttle clip and quick connect ball joint
- 90 amp alternator, bracket, and tensioner (U.S.C.G. approved)
- High torque top or bottom mount starter (U.S.C.G. approved)

## 6.0L Complete Engine Package (Inboard)

- Inboard engine bell housing (or re-use existing sterndrive bell housing)
- Remote oil filter system
- Engine wire harness with universal 10-pin plug
- Water / fuel separator
- Serpentine belt pulley system
- Adjustable engine motor mounts
- Weather cover
- Dip stick tube, dip stick and EZ oil drain hose
- Corrosion resistant black urethane paint
- ALL pulleys, hoses, belts installed
- MPI diagnostic tool available from Diacom at additional, discounted price - [click here for details](#).
- Two-year limited warranty

Founded in the 1950s, MarinePower has consistently created engines that are ranked at the top of the recreational boating industry in terms of sport-specific performance, state-of-the-art technology and reliability. Email [sales@michiganmotorz.com](mailto:sales@michiganmotorz.com) or call (248) 524-9600 to place your order, or for a shipping quote on your 6.0L Complete Engine Package FUEL INJECTION (Inboard).

6.0L Complete Engine Package (Inboard)



**SPECIFICATIONS**

DISPLACEMENT (LITER/CID)

CYLINDERS

BORE & STROKE (INCHES)

COMPRESSION RATIO

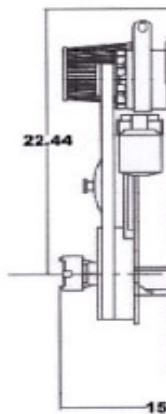
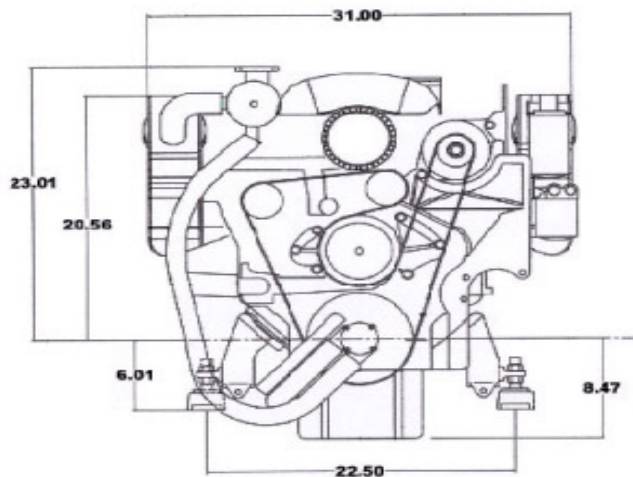
IGNITION

FULL THROTTLE OPERATION

TRANSMISSION (SPORTPAC MODEL)

TOTAL WEIGHT - U.S. LBS. - SPORTPAC (W/DIRECT DRIVE)

TOTAL WEIGHT - U.S. LBS. - ENPAC



*Marine Engines > Complete Turn-Key Engines > Turn-Key MPI Engines > 6.0L Complete Engine Package (Inboard)*

## 6.0L Complete Engine Package (Inboard)

~~Price : \$15,099.00~~

**Special price : \$12,949.00**

---

*Availability: This product was added to our catalog on Tuesday 10 January, 2006*