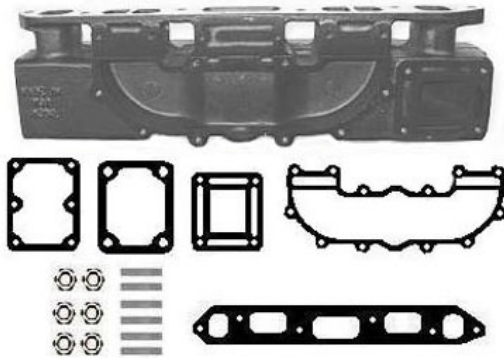


MerCruiser 2.5L Model 120 Engine Log Style Manifold



Model : MC-1-63122

Manufacturer : Barr Marine

MerCruiser 2.5L Model 120 Engine Log Style Manifold
After a while, your Mercruiser Exhaust Marine Manifold might be rusted, cracked, or otherwise performing below expectations. Not to worry, you can easily pick up a Direct Replacement MerCruiser 2.5L Model 120 Engine Log Style Manifold (Part # MC-1-63122). This is a direct replacement water cooled exhaust manifold. All components made in the USA

Barr has been building quality marine products since 1933. Manifolds by Barr are covered by a manufacturer's 3-year warranty. Please see PDF sheet.

Includes manifold, mounting hardware and gaskets. Replaces MerCruiser part #B-63122A1

Three-Year Warranty. Please see PDF sheet.

Email sales@michiganmotorz.com or call (248) 524-9600 for more information, to place your order, or for a shipping quote.

Price : \$296.25

Availability: This product was added to our catalog on Monday 31 October, 2005