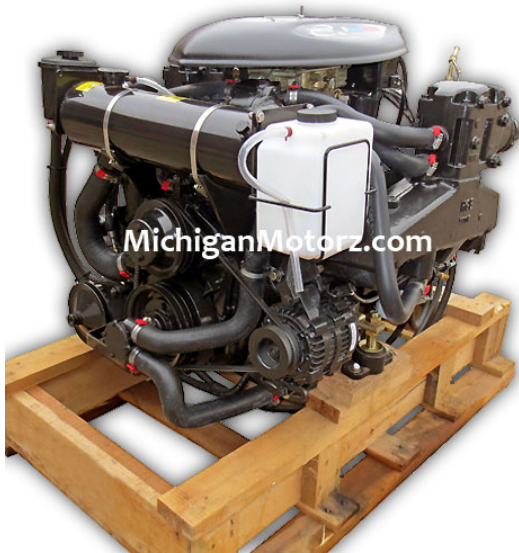


7.4L (454 ci) Complete Engine Package (1986-Later Applications)



Model : MPE7.4LV-MR2

Manufacturer : Marine Power

7.4L (454 ci) Complete Engine Package (1986-Later Applications) This complete engine package is designed to replace most 1986 and later MerCruiser 7.4L (454 ci) engines (can be modified to work in most OMC, Volvo Penta, Crusader, inboard, etc., applications). This engine and 100% of the components are brand new and includes a 2-year factory warranty. This engine is rated at 330hp at the crank shaft. If you have an existing 7.4L engine, then no modifications need to be made to your existing outdrive. This 7.4L marine engine has been run, properly timed and tested BEFORE it is shipped to you, This engine package includes:

- 7.4L (454 ci) Vortec base marine engine (standard rotation)
- Cast iron 4 barrel intake manifold
- Holley 4175 marine carburetor (650 CFM)
- Flexible fuel line (U.S.C.G. approved)
- Electric fuel pump kit (U.S.C.G. approved)
- Crank-driven raw water pump
- Oil pressure switch and oil sending unit
- Delco Voyager ignition kit-Voyager distributor, HEI coil, spark plugs and wires, misc wires for shift interrupt switch
- 14" sterndrive flywheel
- Alarm system
- MerCruiser center-rise manifolds with 4" risers
- Throttle bracket, throttle clip, and quick connect ball joint
- 70 amp alternator, bracket, and tensioner (U.S.C.G. approved)
- High torque bottom mount starter (U.S.C.G. approved)
- Engine wire harness w/universal 10-pin plug
- Water/fuel separator
- Thermostat housing with thermostat
- Adjustable engine motor mounts
- Flame arrestor and weather cover
- Dipstick tube, dipstick and EZ oil drain hose
- Corrosion resistant black urethane paint
- All pulleys, hoses, belts, installed
- Two-Year Limited Warranty

Founded in the 1950s, MarinePower has consistently created engines that are ranked at the top of the recreational boating industry in terms of sport-specific performance, state-of-the-art technology and reliability.

Email sales@michiganmotorz.com or call (248) 524-9600 to place your order, or for a shipping quote on your 7.4L (454 ci) Complete Engine Package (1986-Later Applications).

7.4L (454 ci) Complete Engine Package (1986-Later Applications)



SPECIFICATIONS

DISPLACEMENT (LITER/CID)

CYLINDERS

BORE & STROKE (INCHES)

COMPRESSION RATIO

FUEL SYSTEM

IGNITION

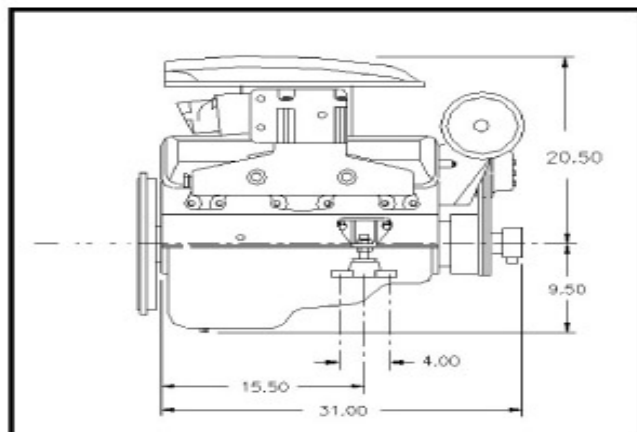
FULL THROTTLE OPERATION (CARBURETED)

ROTATION (FLYWHEEL) (*Opposite Rotation Available on Sportpac Only*)

TRANSMISSION - SPORTPAC ONLY

TOTAL WEIGHT - U.S. LBS. - ENPAC

TOTAL WEIGHT - U.S. LBS. - SPORTPAC W/DIRECT DRIVE



Enpac - Carbureted, FM Fresh Water Cooling

Marine Engines > Complete Turn-Key Engines > Turn-Key Carbureted Engines > 7.4L (454 ci) Complete Engine Package

7.4L (454 ci) Complete Engine Package (1986-Later Applications)

Price : ~~\$16,074.00~~

Special price : \$12,375.00

Availability: This product was added to our catalog on Saturday 17 September, 2005